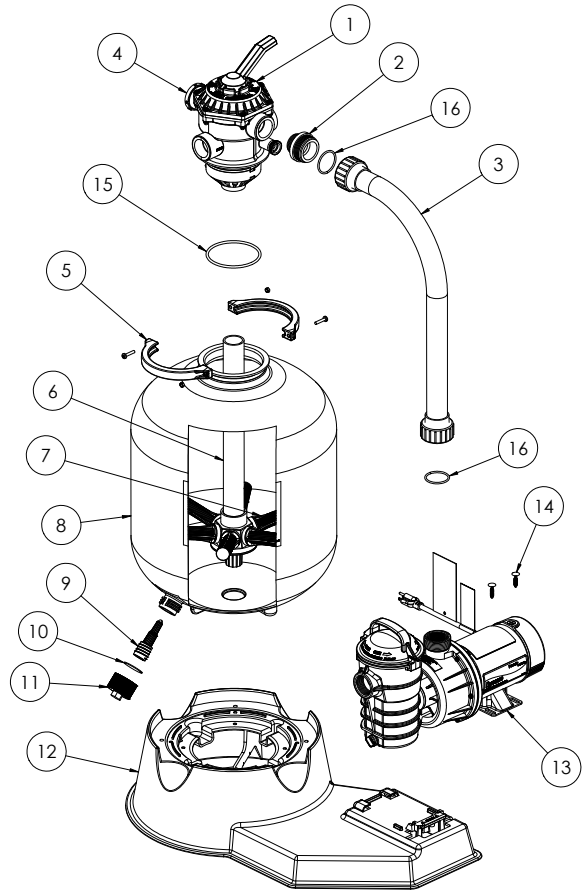


SAND DOLLAR® FILTER SYSTEMS

REPLACEMENT PARTS FOR SYSTEMS MANUFACTURED 2009 AND BEYOND

Item	Part No.	Description
SAND DOLLAR FILTER SYSTEMS 2009 AND BEYOND		
1	262506	Valve, 1-1/2 Inch, 6-Way
2	354588	Adaptor, NPT to Buttress
3	155709	Pump to Filter Assembly (Dynamo to SD35)
3	155710	Pump to Filter Assembly (Dynamo to SD40)
3	155711	Pump to Filter Assembly (Dynamo to SD60)
4	190059	Pressure Gauge
5	152165	Clamp Assembly
6	152229	Piping Assembly - SD35
6	152228	Piping Assembly - SD40
6	152227	Piping Assembly - SD60
7	150084	Lateral - SD 35 & SD 40
7	150085	Lateral - SD60
8	145339	Tank w/ Drain - SD35
8	145341	Tank w/ Drain - SD40
8	145343	Tank w/ Drain - SD60
9	154711	Sand Drain
10	154715	Gasket (Sand Drain)
11	154712	Drain Cap
12	155333P	Systems Base
12	155333CP	Systems Base, CSA Pump
13	Dynamo Pump Page 557	
14	710009	Base Hardware Kit
15	272541	O-Ring Valve Body
16	354571	O-Ring, Union
NOT SHOWN		
	155151	Kit, Flex Hose, 6 ft. ¹
	155005	Kit, Flex Hose, 12 ft. ¹



¹ Replacement Hose Kits include two (2) hoses, four (4) hose adaptors and four (4) hose clamps.